



## FEATURES

- Low Cost
- Fundamental to 40 MHz
- Resin Sealed
- Tape and Reel (2,000 pcs. STD)

## OPTIONS

- Tolerances to < 20 PPM
- Stabilities to < 20 PPM
- Temperatures to -40°C ~ +85°C



| • PART NUMBER <a href="#">Learn More</a> - Internet Required |              |                       |
|--|--------------|-----------------------|
| Part Number  | Model Number | Frequency Range (MHz) |
| 257-Frequency-xxxxx  | FQA          | 9.84375 ~ 67.000      |

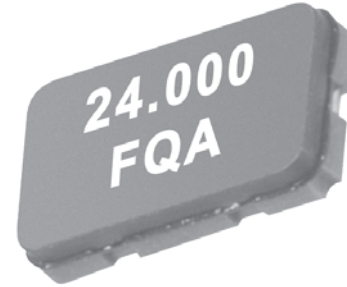
| • STANDARD SPECIFICATIONS <sup>1</sup>           |  |
|--|--|
| PARAMETERS                                       | MAX (unless otherwise noted)           |
| Frequency Range                                  | 9.84375 ~ 67.000 MHz                   |
| Frequency Stability<br>Over Operating Temp Range | ±100 PPM <sup>2</sup>                  |
| Temperature Range                                |  |
| Operating (TOPR)                                 | -10°C ~ +60°C                          |
| Storage (TSTG)                                   | -40°C ~ +85°C                          |
| Shunt Capacitance (Co)                           | 7.0 pF                                 |
| Load Capacitance (CL)                            | 10 pF ~ Series<br>(Customer Specified) |
| Drive Level                                      | 0.1 mW                                 |
| Aging per year                                   | ±5 PPM                                 |

<sup>1</sup> Other stabilities & operating temperature ranges available. Consult Fox Customer Service for specific requirements.

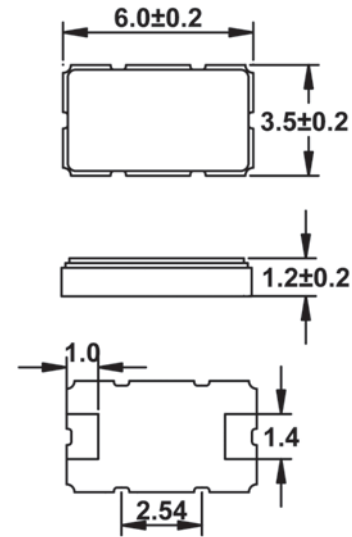
<sup>2</sup> Inclusive of tolerance at 25°C.

All specifications subject to change without notice. Rev. 6/1/04

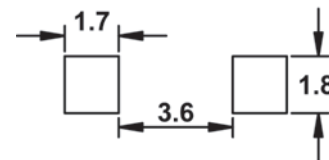
| Frequency Range (MHz) | Operating Mode | Max ESR Ω |
|-----------------------|----------------|-----------|
| 9.84375 ~ 12.000      | Fundamental    | 80        |
| 12.000+ ~ 16.000      | Fundamental    | 60        |
| 16.000+ ~ 40.000      | Fundamental    | 40        |
| 40.000 ~ 67.000       | 3rd OT         | 70        |



Learn more about:  
[Part Marking Identification](#)  
[Tape and Reel Specification](#)  
Internet required



## Recommended Solder Pad Layout



All dimensions are in millimeters.