

# LV-PECL 7x5mm 3.3V Oscillator



F4600 SERIES

RoHS Compliant / Pb Free

Rev. 1/22/2009

Page 1 of 2

[http://www.foxonline.com/need\\_a\\_sample.htm](http://www.foxonline.com/need_a_sample.htm)

## FEATURES

- 3.3V Operation
- LV-PECL Output
- Complementary Outputs
- Standby Function
- Tape and Reel (2,000 pcs. STD)

## OPTIONS

- 2.5V Version - XpressO<sup>®</sup> Equivalent FXO-PC72
- Pin 2 E/D (A Series)

Need a Sample<sup>®</sup>

XpressO<sup>®</sup> Equivalent  
**FXO-PC73**  
 Why XpressO?  
 Lower Cost, Faster Delivery, Low Jitter!

## • PART NUMBER SELECTION [Learn More - Internet Required](#)

Part Number	Model Number	Frequency Stability <sup>1</sup>	Operating Temperature (°C)	Frequency Range (MHz)
535-Frequency-xxxxx	F4600	±100PPM	-10 ~ +70	40.000 ~ 280.000
536-Frequency-xxxxx	F4600R	±100PPM	-40 ~ +85	40.000 ~ 280.000
537-Frequency-xxxxx	F4605	±50PPM	-10 ~ +70	40.000 ~ 280.000
538-Frequency-xxxxx	F4605R	±50PPM	-40 ~ +85	40.000 ~ 280.000
539-Frequency-xxxxx	F4606	±25PPM*	-10 ~ +70	40.000 ~ 280.000
540-Frequency-xxxxx	F4606R	±25PPM*	-40 ~ +85	40.000 ~ 170.000
541-Frequency-xxxxx	F4608	±20PPM*	-10 ~ +70	40.000 ~ 170.000

## • ELECTRICAL CHARACTERISTICS

PARAMETERS	MAX (unless otherwise noted)
Frequency Range (Fo)	40.000 ~ 280.000 MHz
Storage Temperature Range (TSTG)	-55°C ~ +125°C
Supply Voltage (VDD)	3.3V ± 5%
Input Current (IDD)	88mA
Output Symmetry (50% Vp-p Level)	
40.000 MHz ~ 170.000 MHz	45% ~ 55%
170.000* Mhz ~ 280.000 MHz	40% ~ 60%
Rise Time (TR) (20% ~ 80% Vp-p)	1nS
Fall Time (TF)(80% ~ 20% Vp-p)	1nS
Output Voltage (VOL)	1.7V
(VOH)	2.2V Min
Standby Current	30µA
Output Load	See Recommended Circuit
Start-up Time (Ts)	10mS
Output Disable Time <sup>2</sup>	100nS
Output Enable Time <sup>2</sup>	10mS
Jitter	
12kHz ~ 20MHz	0.3pS Typ.
RMS Period	2.5pS Typ.
Cycle-to-Cycle	20pS Typ.

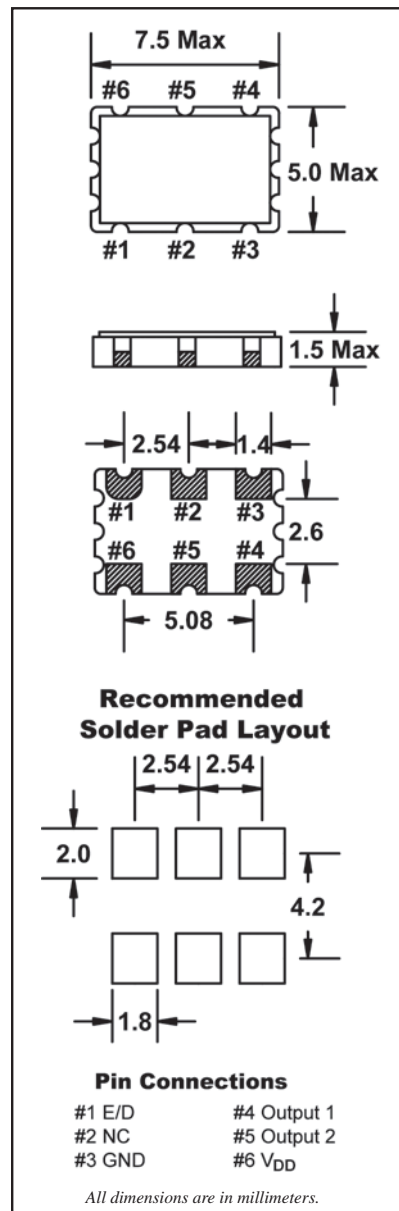
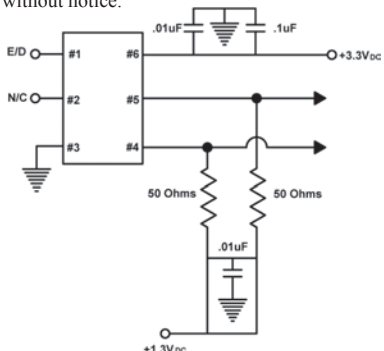
<sup>1</sup> Inclusive of 25°C tolerance, operating temperature range, input voltage change, load change, aging, shock, and vibration. (\*Excludes shock and vibration)

<sup>2</sup> An internal pullup resistor from pin 1 to pin 6 allows active output if pin 1 is left open.

Note: A 0.01µF bypass capacitor should be placed between VDD (Pin 6) and GND (Pin 3) to minimize power supply line noise.

Drawing is for reference to critical specifications defined by size measurements.

Certain non-critical visual attributes, such as side castellations, reference pin shape, etc. may vary. All specifications subject to change without notice.



• ENABLE / DISABLE FUNCTION <sup>3</sup>		
(Pin 1)	OUTPUT (Pin 4)	OUTPUT (Pin 5)
OPEN	ACTIVE	ACTIVE
'1' Level VIH ≥ 70% VDD	ACTIVE	ACTIVE
'0' Level VIL ≤ 30% VDD	High Z	High Z

# LV-PECL 7x5mm 3.3V Oscillator



F4600 SERIES

RoHS Compliant / Pb Free

Rev. 1/22/2009

Page 2 of 2

[http://www.foxonline.com/need\\_a\\_sample.htm](http://www.foxonline.com/need_a_sample.htm)

Need a  
Sample®

• TAPE SPECIFICATIONS (millimeters)							
MODEL	A	B	C	D	E	F	STD Reel QTY
F4600 Series	Ø1.5	4.0	8.0	7.5	16.0	2.15	2,000

• REEL SPECIFICATIONS (millimeters)							
MODEL	G	H	I	J	K	L	M
F4600 Series	2.0	Ø13	Ø21	Ø80	Ø255	17.5	2.0

